

## GLASSES

Standard  
- heated curved front glass,  
upward opening  
- heated stratified side glasses

## INTERIORS

Standard  
- polish s/s  
  
Optionals  
- powder-coated s/s

## SKIN

Standard  
- HPL black / white / gray  
  
Optional  
- HPL RAL



IT

## Vetrine Gelato

Vetro frontale singolo curvo riscaldato e apribile verso l'alto | fianchi laterali in vetro stratificato riscaldato con serigrafia | profili in alluminio brillante | illuminazione a led no spot 3000°K | vano operatore con scorrevoli in PETG easy sliding | vasca coibentata con poliuretano ecologico e rivestita in acciaio inox | refrigerazione ventilata | sbrinamento a inversione di ciclo | centralina elettronica e lettore digitale della temperatura a filo piano | piano di lavoro in acciaio inox lucido | predisposizione per vaschette gelato dim. mm.360x165x120h oppure dim. mm.360x250x80h non fornite | indicatore gusti retroilluminato | telaio portante in tubolare verniciato con piedini inox regolabili in altezza

EN

## Gelato Showcase

Curved single front glass heated and openable upwards | sides in laminated glass heated with silk-screen printing | bright aluminium profiles | no spot 3000°K led lighting | operator compartment with PETG easy sliding | tank insulated with ecological polyurethane and covered in stainless steel | ventilated refrigeration | reverse cycle defrost | electronic control unit and digital temperature reader flush with the worktop | worktop in polished stainless steel | pre-arrangement for pans dim. mm.360x165x120h or dim. mm.360x250x80h not supplied | backlit ice cream flavor tags | supporting frame in galvanized steel with height adjustable stainless steel feet

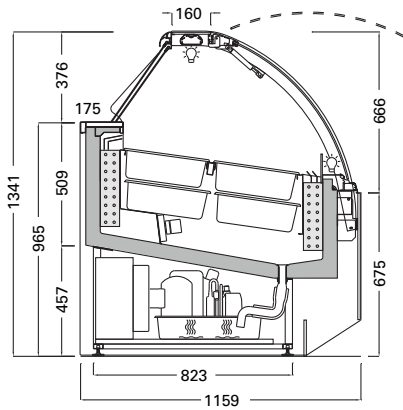
FR

## Vitrine à glace

Vitre frontal bombé chauffé avec ouverture vers le haut | panneaux latéraux en verre feuilleté chauffé avec sérigraphie | montants en aluminium brillant | éclairage à bandeau LED diffusant 3000°K | compartiment opérateur avec portes coulissantes PETG | cuve isolée avec du polyuréthane écologique et revêtue en acier inoxydable | réfrigération ventilée | dégivrage à inversion de cycle | commande numérique et afficheur de température encastré dans le plan | plateaux de travail en acier poli | prévision pour bacs à glace dim. mm.360x165x120h ou dim. mm.360x250x80h non fournis | étiquettes de parfum glace rétro-éclairé | châssis de support en tubulaire peint avec pieds en acier inoxydable réglables en hauteur

-18°C





Technical



- Ventilated
- Automatic/reverse cycle
- R452A
- N. 4 / H.R. 55% / 30 °C
- Semi-Hermetic
- 400 V / 3 ph / 50 Hz+N
- Led 3.000°K
- 18°C

Data Sheet

	Model Code	Dimensions mm	Weight Kg	Max Pwr. Consumption W / A	Avg Operating Consumption KW/H	Cooling Power/Expansion W / °C	GAS Type
	SPC2GEL12I	1110x1145x1342H 1290x1325x1632H	270 140	2000/5,4	1	800 / -36	R452A
	SPC2GEL18I	1610x1145x1342H 1790x1325x1632H	345 195	3000/8,0	1,4	1130 / -36	R452A
	SPC2GEL24I	2106x1145x1342H 2286x1325x1632H	415 250	3600/9,7	1,8	1440 / -36	R452A
	SPC2GEL12+12I	2106x1145x1342H 2286x1325x1632H	430 250	3700/9,5	1,9	800+800 / -36	R452A
30° R3106	SPC2GELAP30I	R3041x1145x1342H 1780x1325x1632H	300 195	2700/7,0	1,3	950 / -36	R452A
30° R1896	SPC2GELCH30I	R1960x1145x1342H 1700x1325x1632H	300 185	2700/7,0	1,3	950 / -36	R452A

Optionals:

- 18  
 +4  
converter device from -18° to +4°C
- epoxy painted profiles
- s/s trays for ice-cream cakes
- stick ice-cream rack
- s/s pan mm. 360x165x120H
- s/s pan mm. 360x250x80H
- s/s dipper well
- roller night blind
- remote assistance