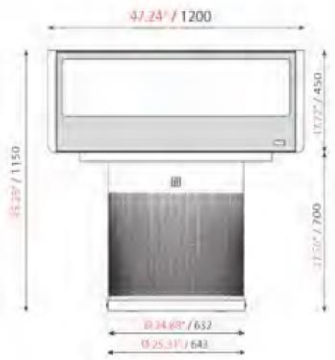


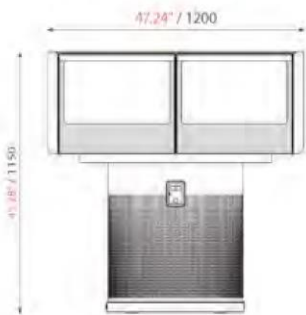
L 1200 Customer side



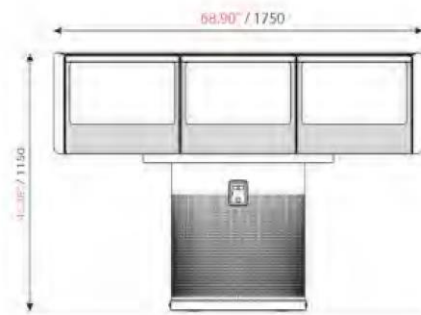
L 1750 Customer side



L 1200 Operator side



L 1750 Operator side



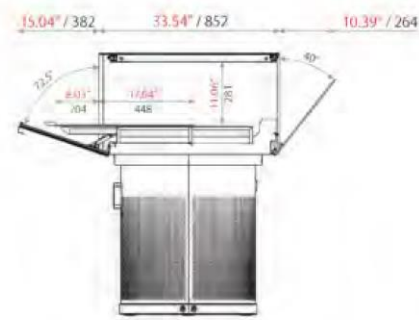
L 1200 Display surfaces



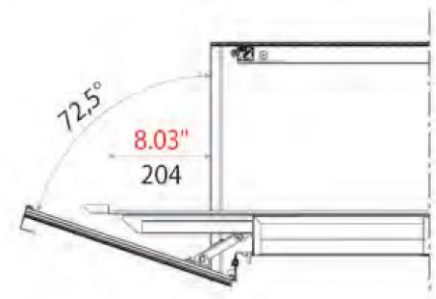
L 1750 Display surfaces



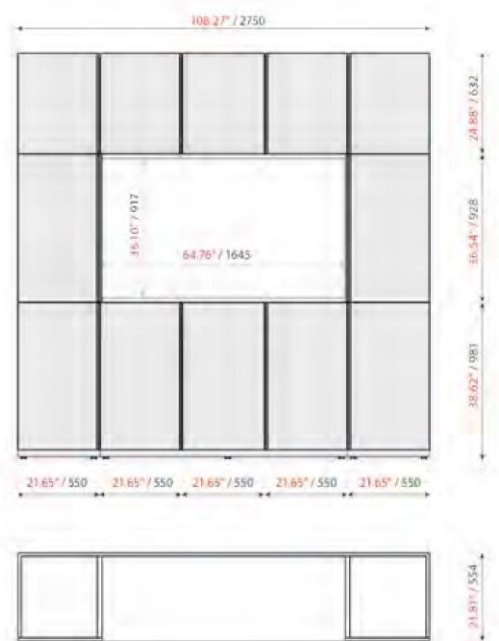
Section



Detail



Wall Unit



Colonna has been tested at 89.6 °F / 32 °C 60% RH (Relative Humidity)

